

TUBF0210 Product Brief

1. Description

The TBUF0210 is a high-performance CMOS Clock Buffer featuring an internal Crystal Oscillator. It supports the XTAL range from 10MHz to 50MHz and operates within a wide operating voltage range from 2.5V to 3.3V. Users can enjoy enhanced flexibility with the ability to select the output VDD option. This versatile device is well-suited for systems requiring the distribution of low-jitter clock signals to multiple destinations.

2. Features

- 10 single-ended outputs fanout buffer
- Up to 200MHz output frequency
- Ultra-low output additive jitter
- The input XTAL supports 10MHz to 50MHz, single-ended and differential
- Low output skew
- User configurable output VDD in different bank
- Mixed 3.3V core, 3.3V, 2.5V, 1.8V or 1.5V output operating supply
- Mixed 2.5V core, 2.5V, 1.8V or 1.5V

output operating supply

- Ambient temperature: -40°C~ 85°C
- Totally Lead-Free & Fully RoHS Compliant
- Halogen and Antimony Free
- Packaged: 5mm×5mm 32-pin QFN

3. Applications

- IT infrastructure
- Automotive electronic

4. Functional Diagram

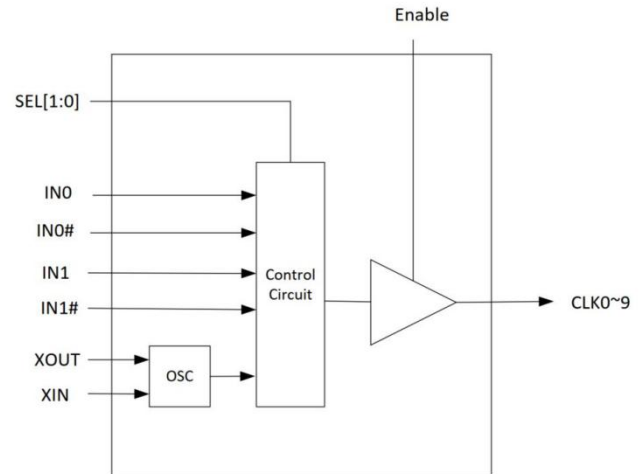


Figure 1 Functional Diagram